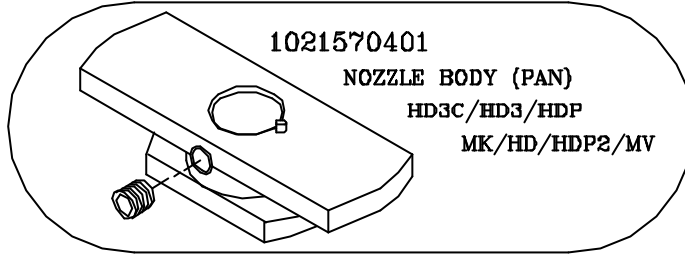
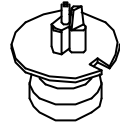


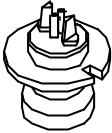
1021570402
DISPENSING NOZZLE (VS)
(ID = $\phi 0.4$, 1 DOT)
PAN
GLUE GAP = 0.15



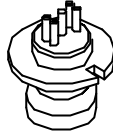
1021570401
NOZZLE BODY (PAN)
HD3C/HD3/HDP
MK/HD/HDP2/MV



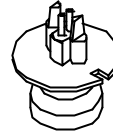
1040840014
DISPENSING NOZZLE (VS)
(ID = $\phi 0.4$, 1 DOT)
PAN
GLUE GAP = 0.15



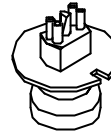
1021570412
DISPENSING NOZZLE (S)
(ID = $\phi 0.4$, 2 DOTS)
PAN
* GLUE GAP = 0.15 *
* PITCH = 1.0 *



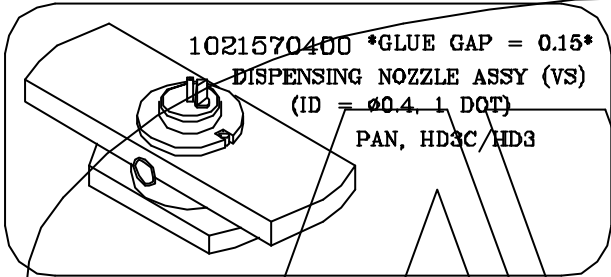
1021570422
DISPENSING NOZZLE (L)
(ID = $\phi 0.5$, 4 DOTS)
PAN
* GLUE GAP = 0.15 *
* PITCH = 1.0x3.0 *



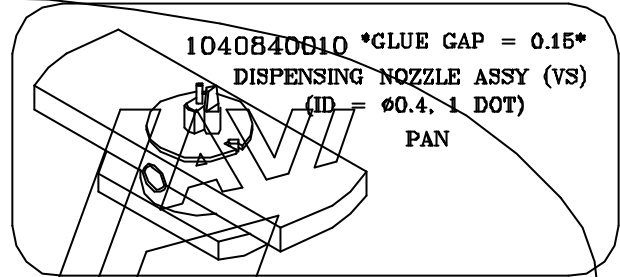
1040840024
DISPENSING NOZZLE (S)
(ID = $\phi 0.4$, 2 DOTS)
PAN
* GLUE GAP = 0.15 *
* PITCH = 1.0 *



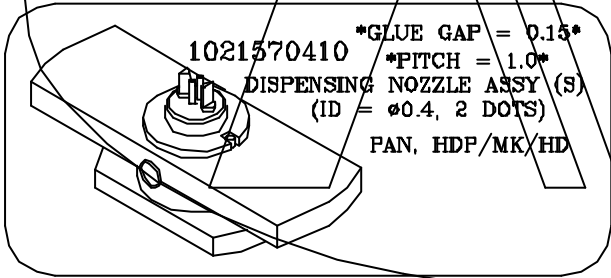
1040840034
DISPENSING NOZZLE (L)
(ID = $\phi 0.5$, 4 DOTS)
PAN
* GLUE GAP = 0.15 *
* PITCH = 1.0x3.0 *



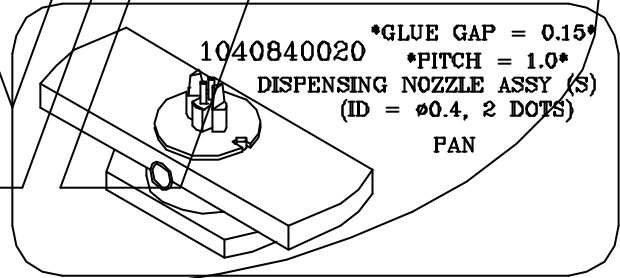
1021570400 *GLUE GAP = 0.15*
DISPENSING NOZZLE ASSY (VS)
(ID = $\phi 0.4$, 1 DOT)
PAN, HD3C/HD3



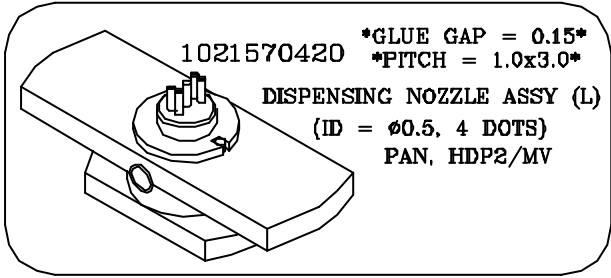
1040840010 *GLUE GAP = 0.15*
DISPENSING NOZZLE ASSY (VS)
(ID = $\phi 0.4$, 1 DOT)
PAN



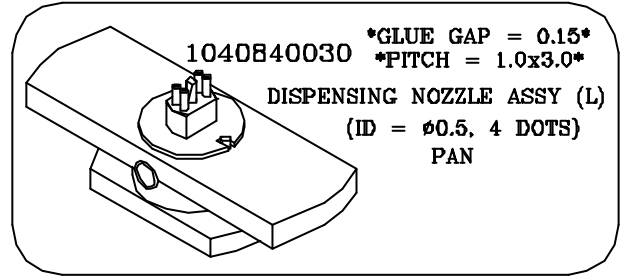
1021570410 *GLUE GAP = 0.15*
PITCH = 1.0
DISPENSING NOZZLE ASSY (S)
(ID = $\phi 0.4$, 2 DOTS)
PAN, HDP/MK/HD



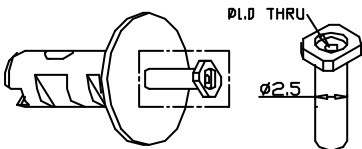
1040840020 *GLUE GAP = 0.15*
PITCH = 1.0
DISPENSING NOZZLE ASSY (S)
(ID = $\phi 0.4$, 2 DOTS)
PAN



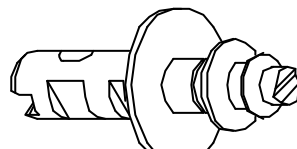
1021570420 *GLUE GAP = 0.15*
PITCH = 1.0x3.0
DISPENSING NOZZLE ASSY (L)
(ID = $\phi 0.5$, 4 DOTS)
PAN, HDP2/MV



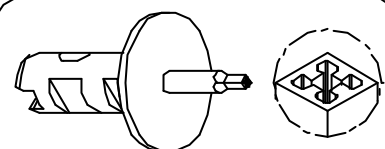
1040840030 *GLUE GAP = 0.15*
PITCH = 1.0x3.0
DISPENSING NOZZLE ASSY (L)
(ID = $\phi 0.5$, 4 DOTS)
PAN



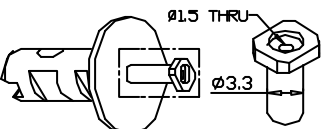
1040308630
PICK-UP NOZZLE (M)
PAN, MPAV



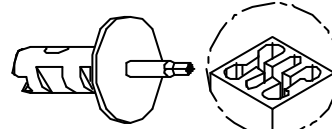
104030875003
PICK-UP NOZZLE (L)
PAN, MPAV



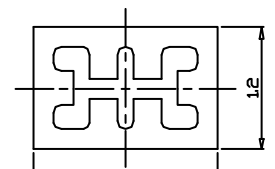
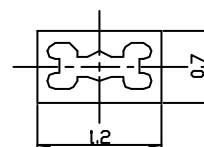
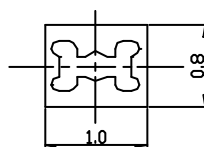
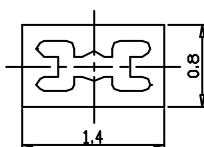
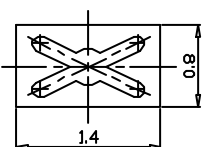
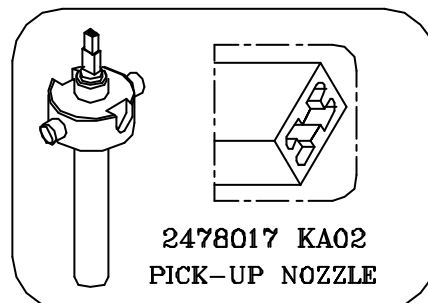
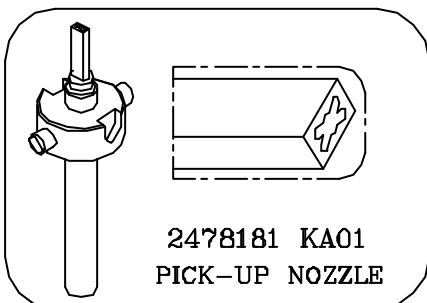
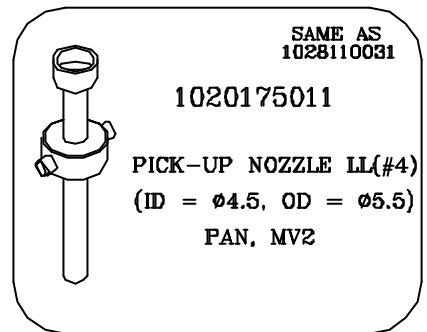
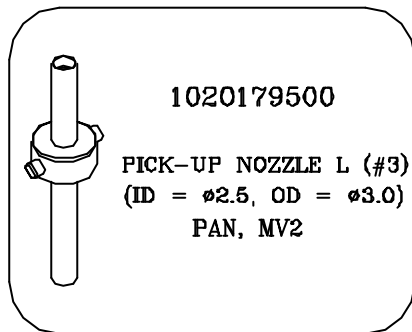
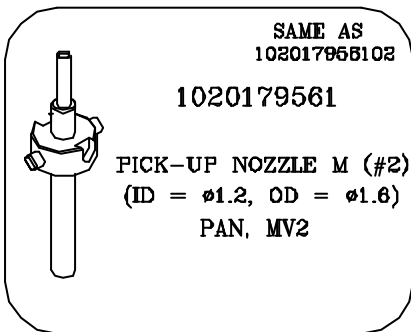
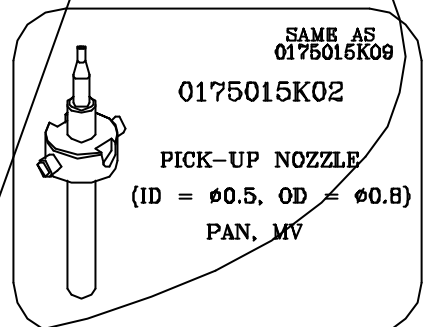
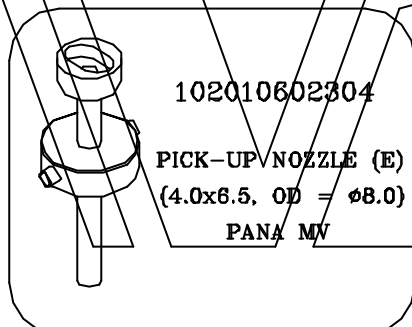
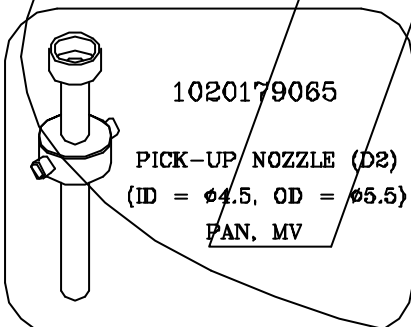
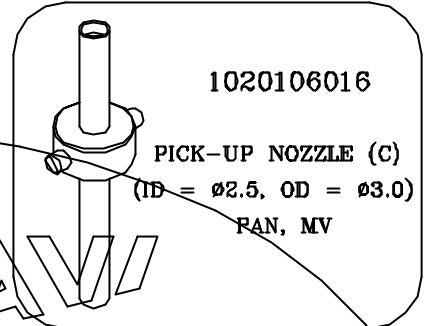
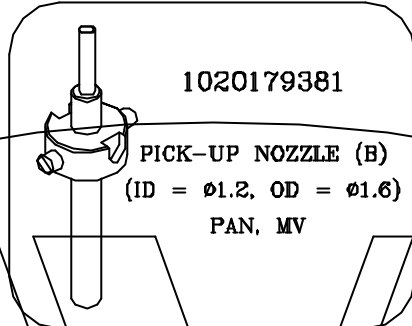
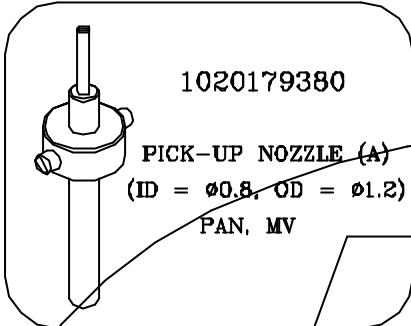
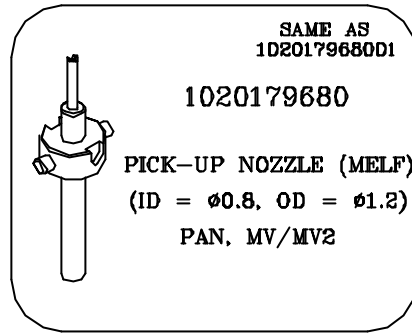
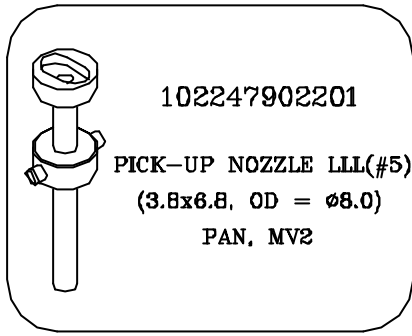
104030861002
PICK-UP NOZZLE (SS)
PAN, MPAV

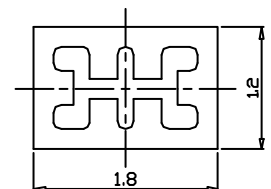
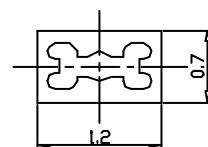
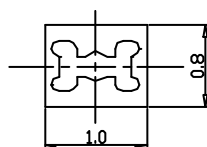
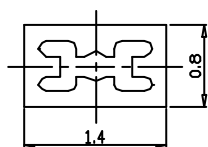
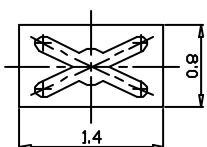
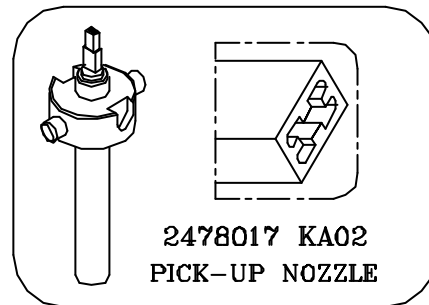
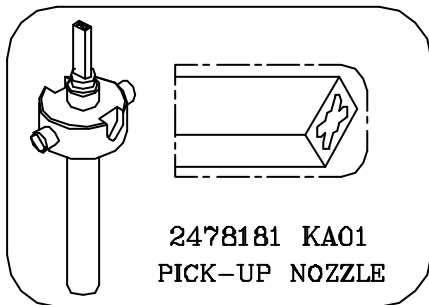
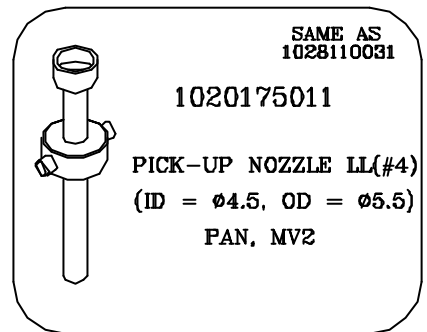
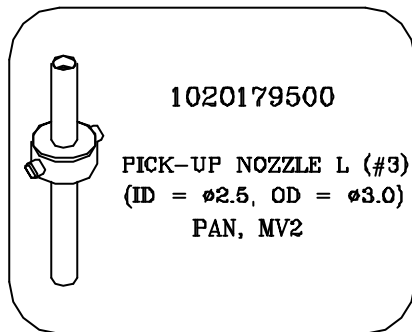
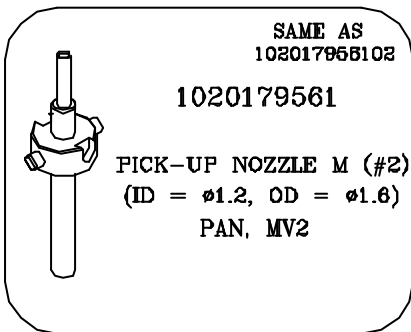
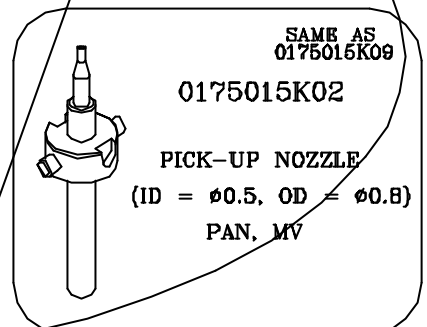
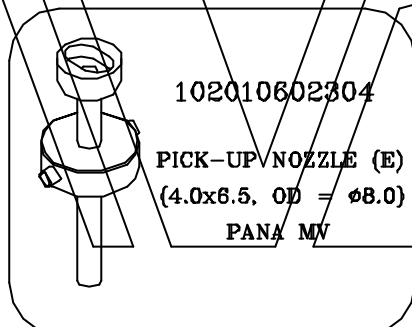
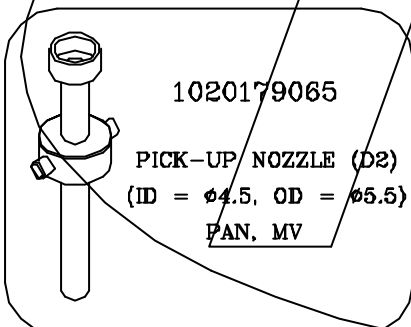
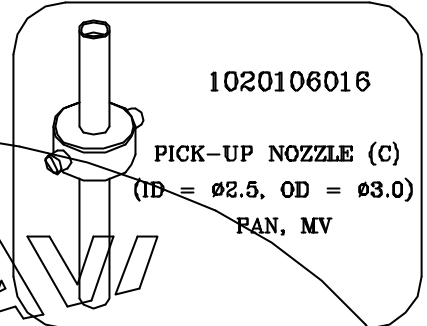
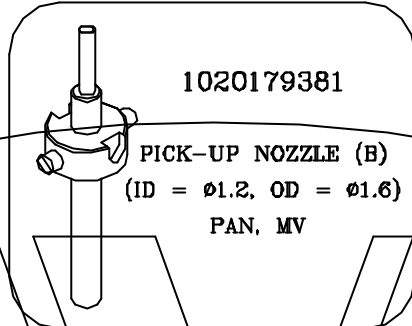
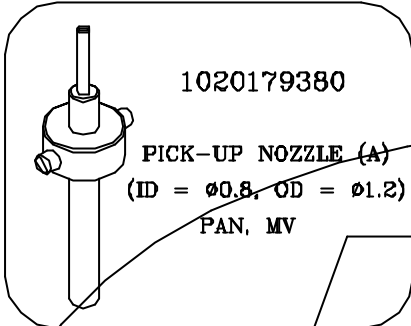
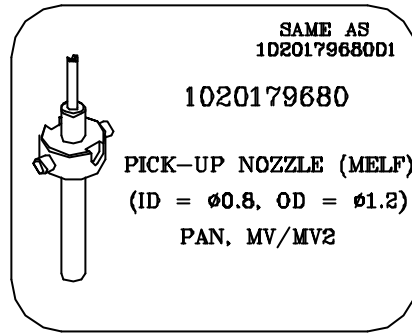
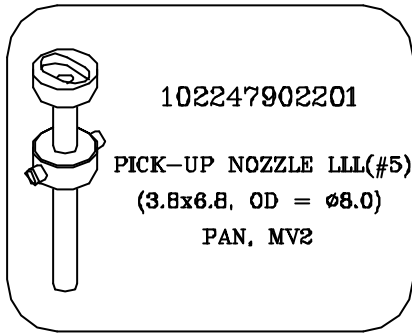


104030863002
PICK-UP NOZZLE (M)
PAN, MPAV



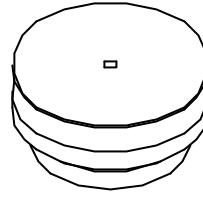
104030862002
PICK-UP NOZZLE (S)
PAN, MPAV



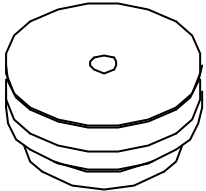




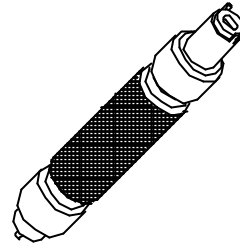
1020179382
REFLEX PLATE A
(DIA. = ø1.2)
PAN, MV



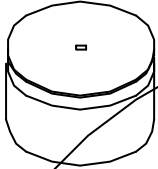
1020179383
REFLEX PLATE B
(DIA. = ø1.6)
PAN, MV



1020106020
REFLEX PLATE C
(DIA. = ø3.0)
PAN, MV



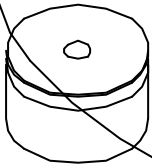
NOZZLE JIG
(MOUNT/DISMOUNT)
PAN, MV/MV2



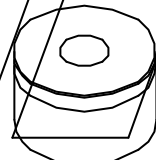
102246500201
REFLECTING BOARD (MELF)
(DIA = ø1.2)
PAN, MV2



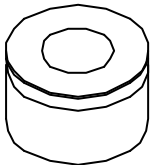
SAME AS
102241013202
1022410132
REFLECTING BOARD #2
(DIA. = ø1.6)
PAN, MV2



1022410133
REFLECTING BOARD #3
(DIA. = ø3.0)
PAN, MV2



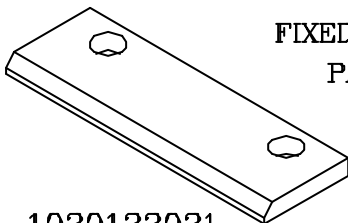
SAME AS
102241013402
1022410134
REFLECTING BOARD #4
(DIA. = ø5.5)
PAN, MV2



SAME AS
102241013502
1022410135
REFLECTING BOARD #5
(DIA. = ø8.0)
PAN, MV2

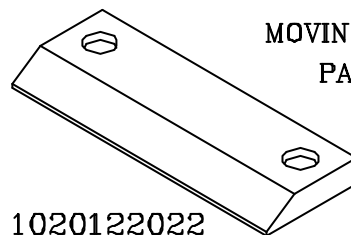


102247948601
REFLECTING BOARD
(DIA. = ø5.5)
PAN, MV2



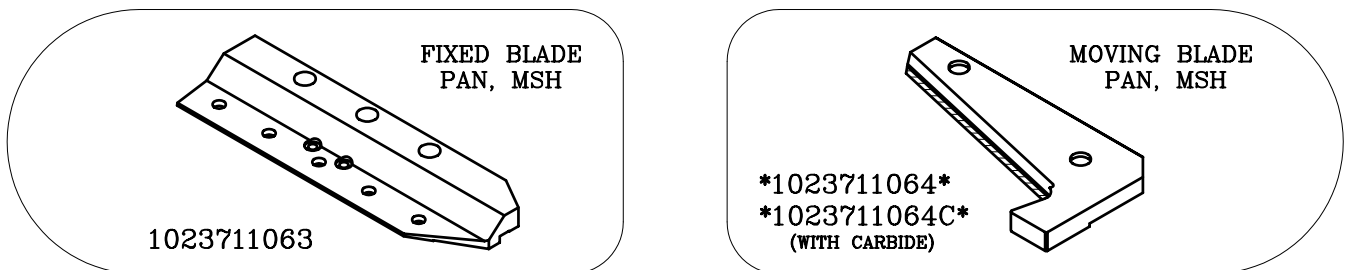
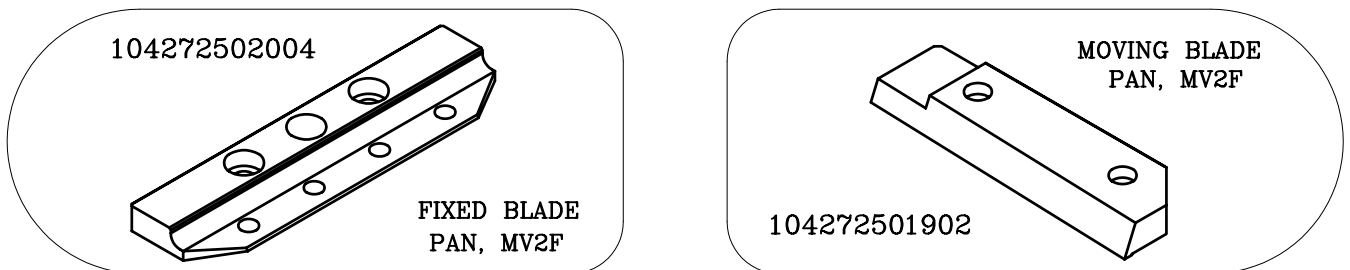
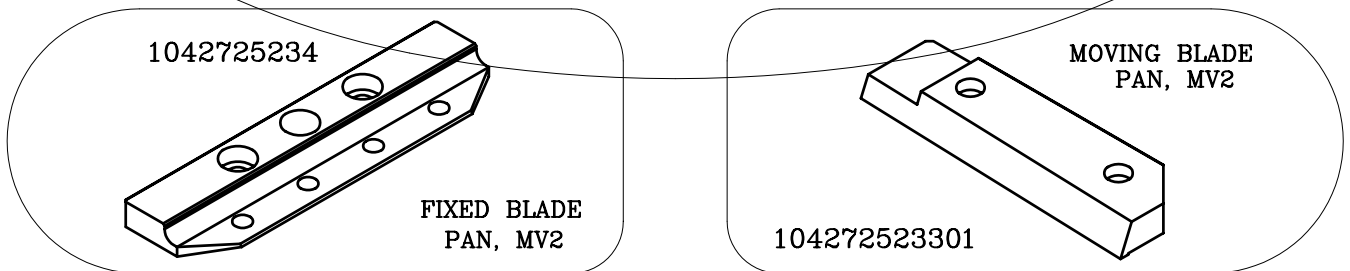
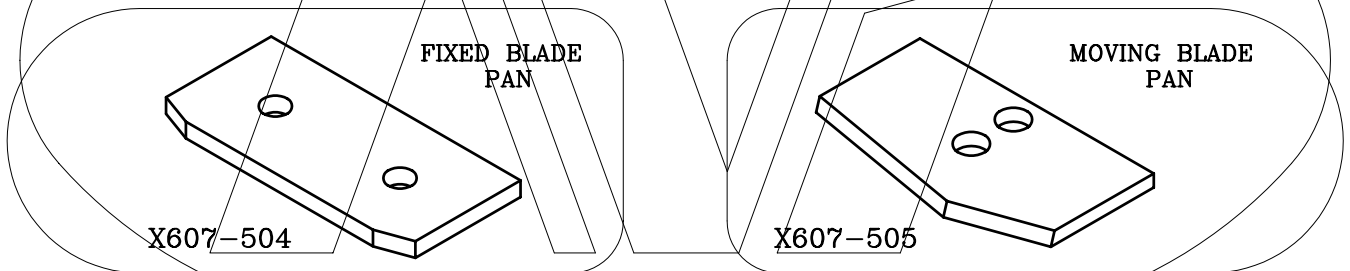
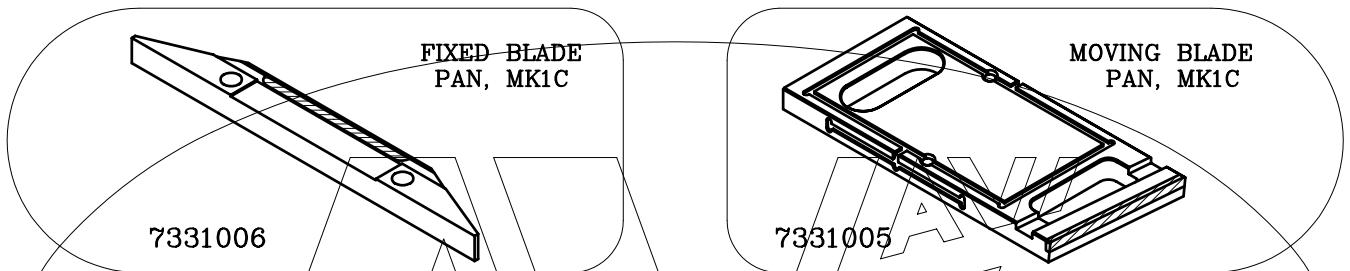
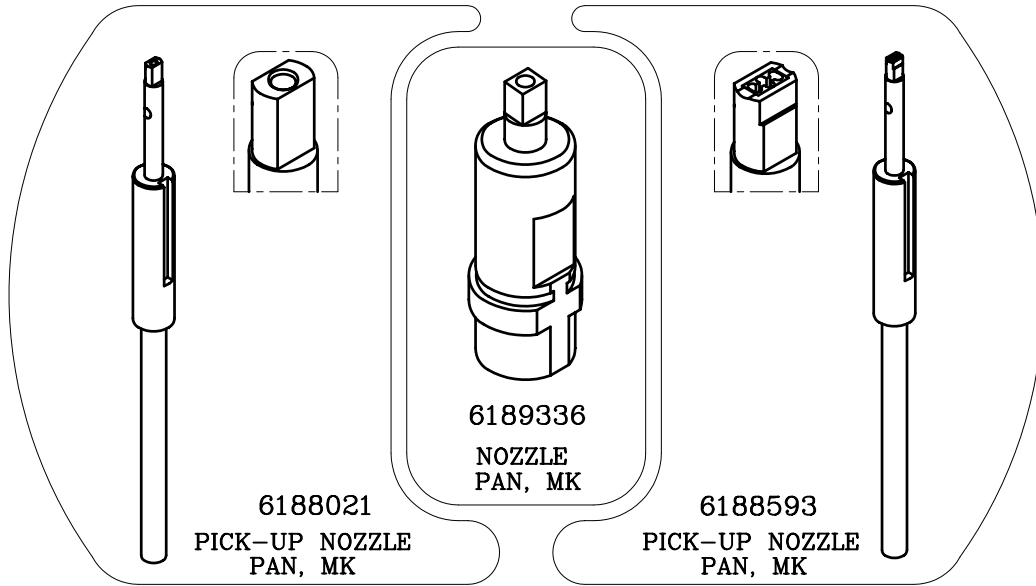
1020122021

FIXED CUTTER
PAN, MV



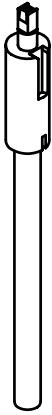
1020122022

MOVING CUTTER
PAN, MV



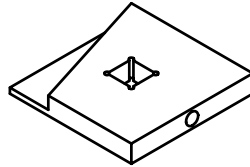
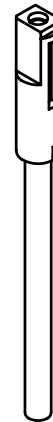
1015679101

PICK-UP NOZZLE (S)
PAN, MPA

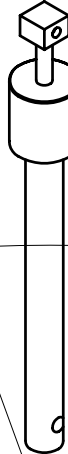


1015679201

PICK-UP NOZZLE (M)
PAN, MPA

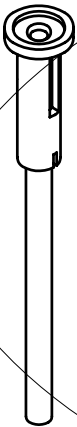


CAMERA
ALIGNMENT
JIG
PAN, MV



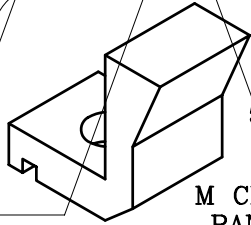
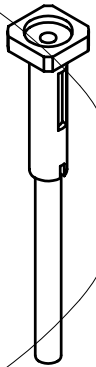
1015689214

PICK-UP NOZZLE (L)
PAN, MPA



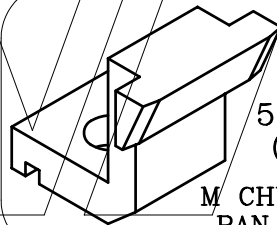
1015660021

PICK-UP NOZZLE (M)
PAN, MPA



5652352
(MOD)

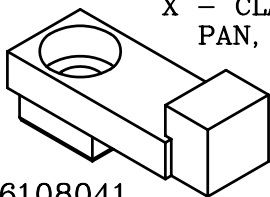
M CHUCK (X)
PAN, MPA



5652356
(MOD)

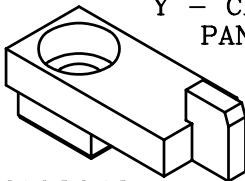
M CHUCK (Y)
PAN, MPA

X - CLAW
PAN, MK



6108041

Y - CLAW
PAN, MK



6108042

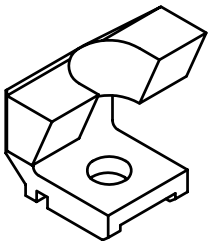
5652302



S CHUCK (X)
PAN, MPA

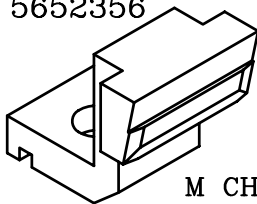
5652402

L CHUCK
(X & Y)
PAN, MPA



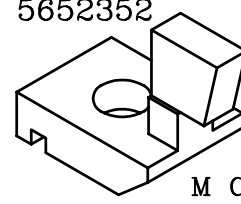
5652356

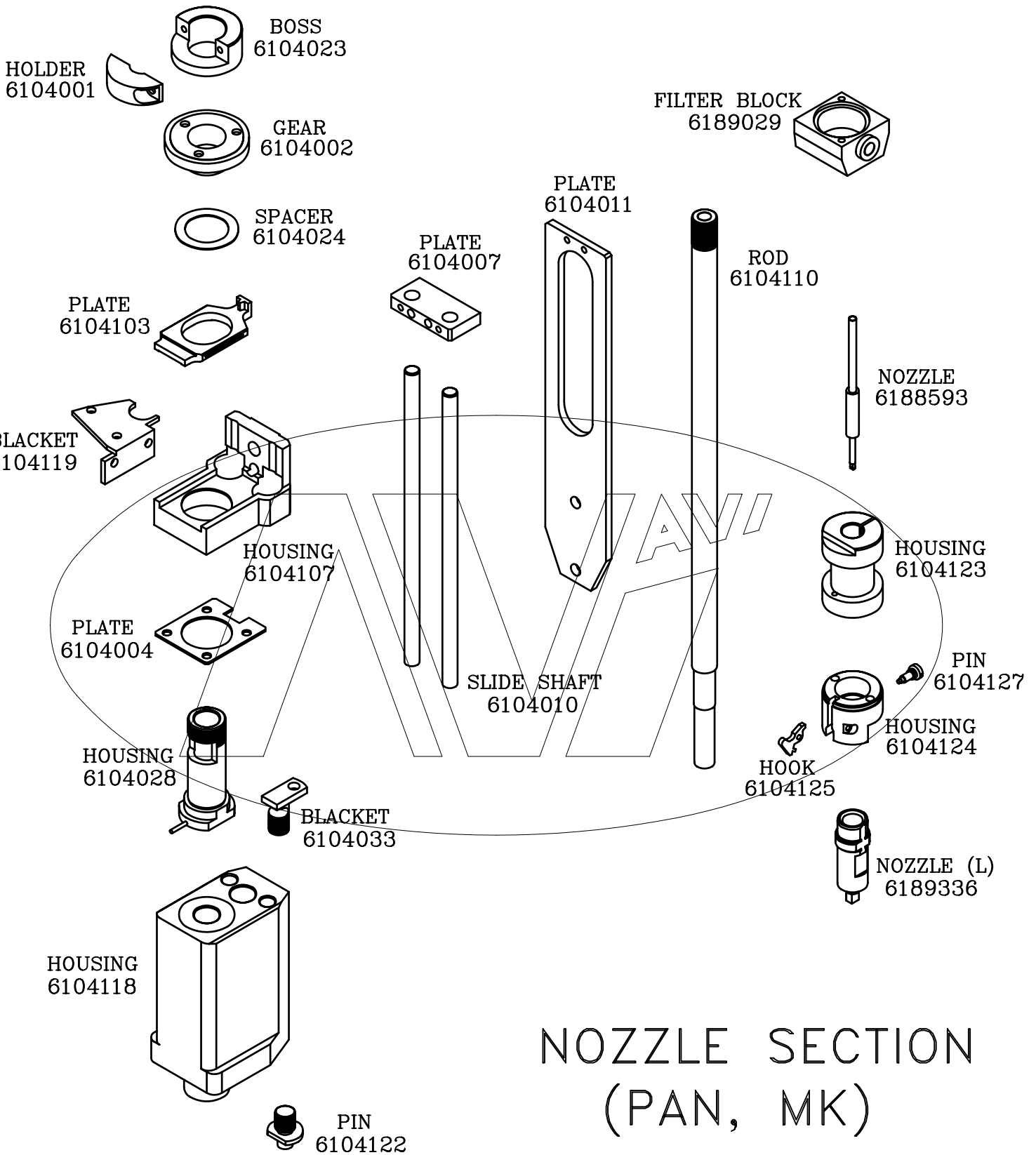
M CHUCK (Y)
PAN, MPA



5652352

M CHUCK (X)
PAN, MPA



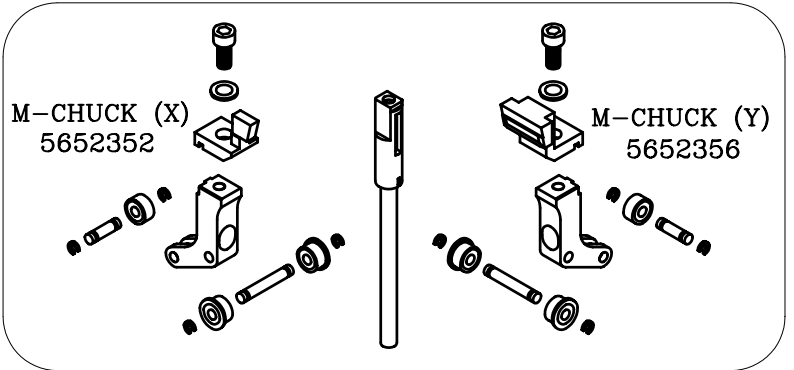


CENTERING CHUCK UNIT (M) PAN, MPA



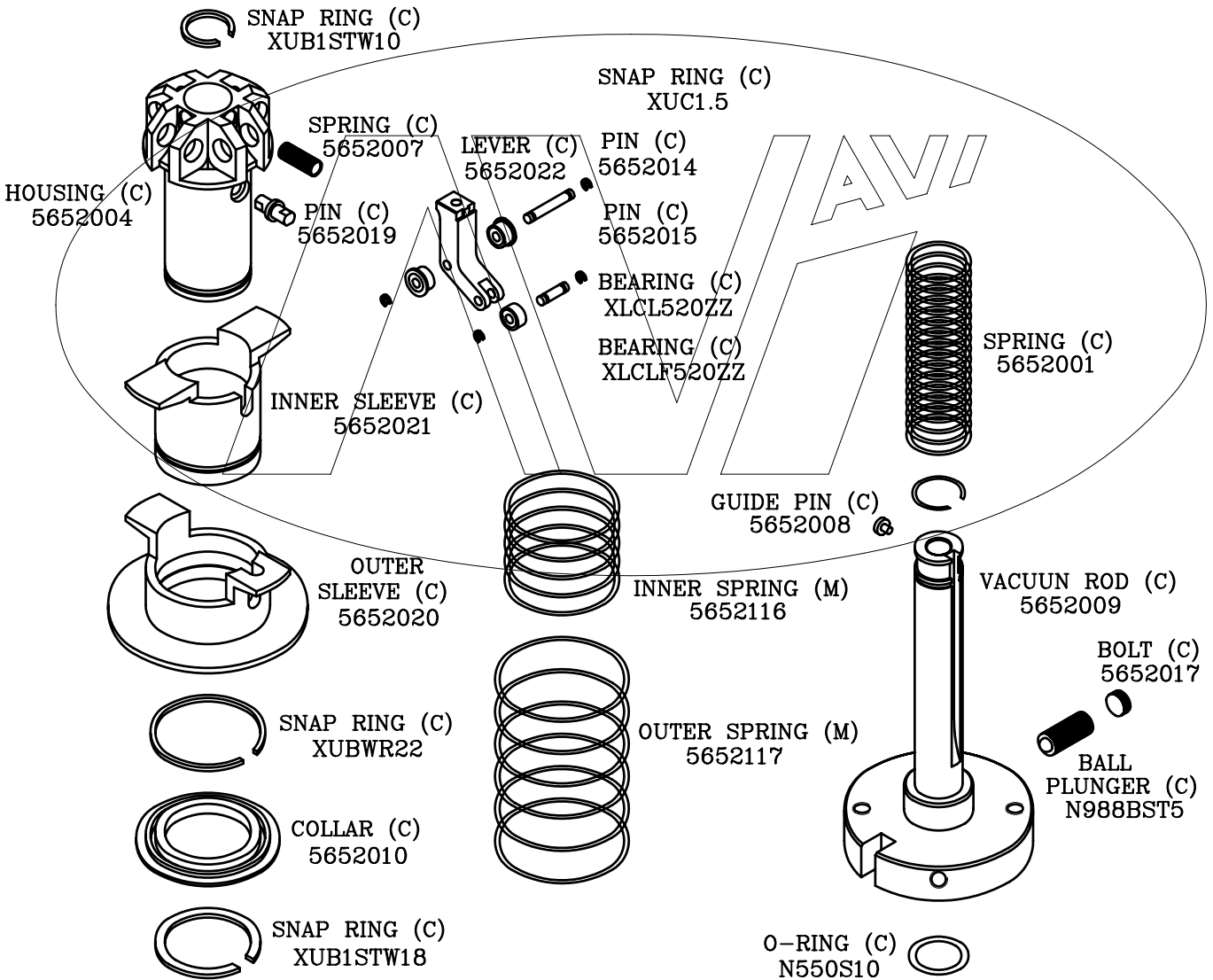
PICK-UP NOZZLE (M)
1015679201

SPRING (C)
5301009

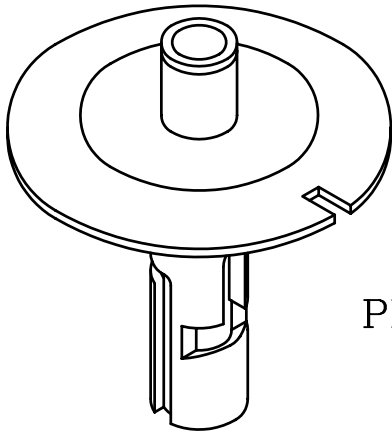


M-CHUCK (X)
5652352

M-CHUCK (Y)
5652356

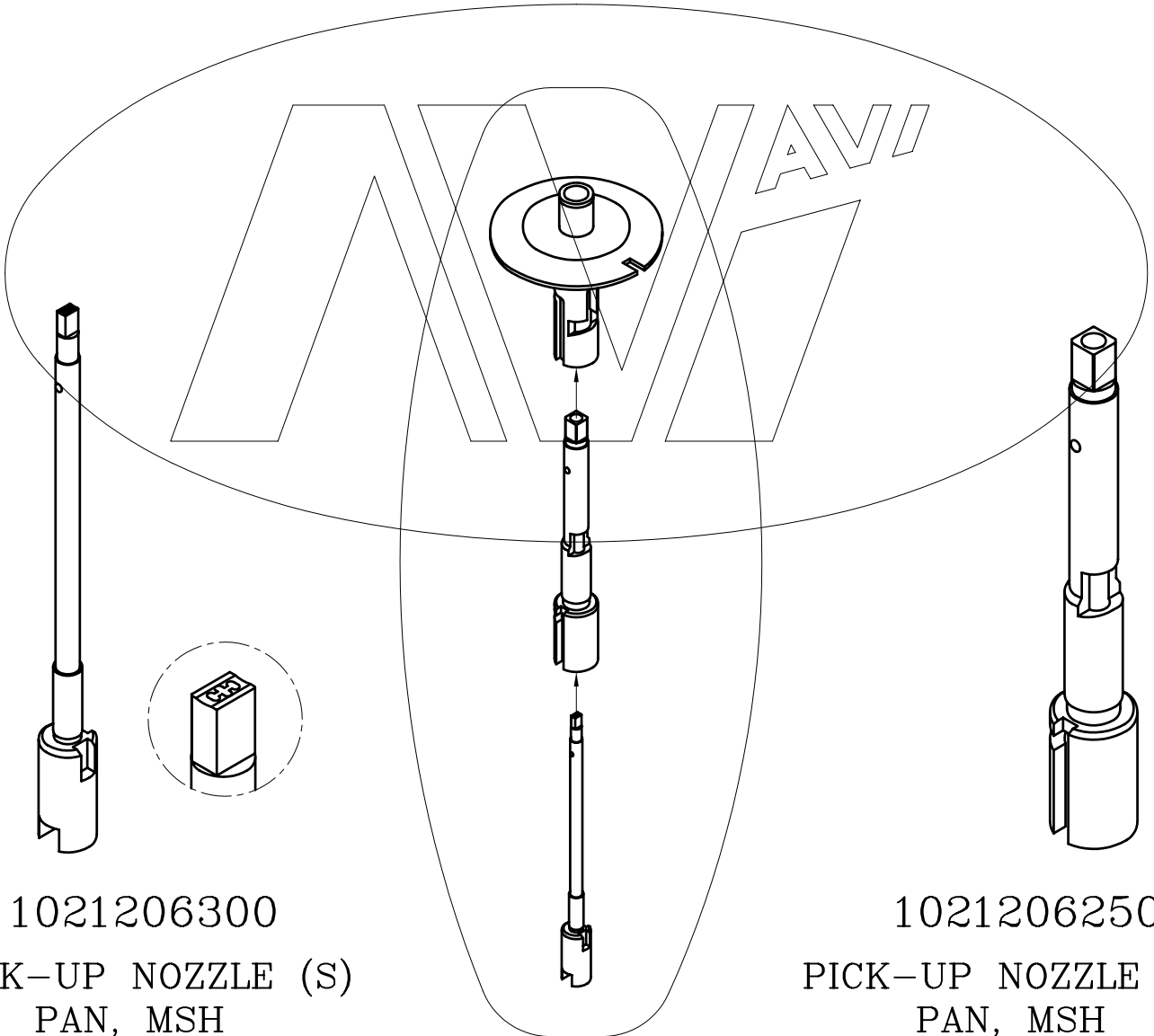


* NOTE:-(C) = COMMON PART *



1021206240

PICK-UP NOZZLE (L)
PAN, MSH

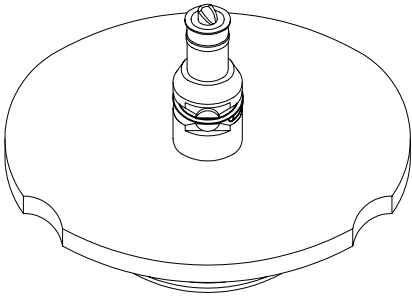


1021206300

PICK-UP NOZZLE (S)
PAN, MSH

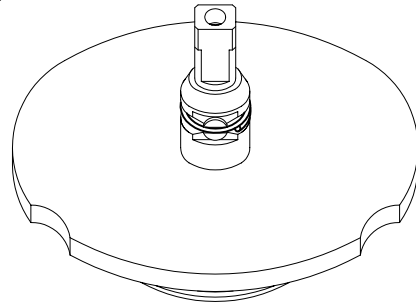
1021206250

PICK-UP NOZZLE (M)
PAN, MSH



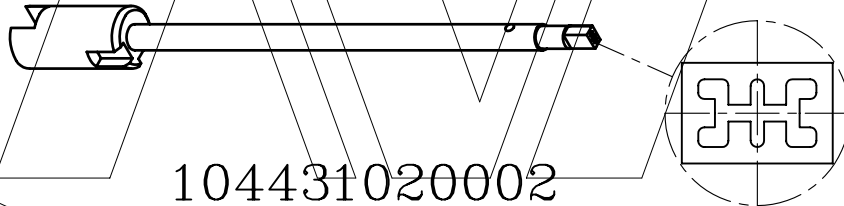
104701876004

PICK-UP NOZZLE (M/L)



104700863003

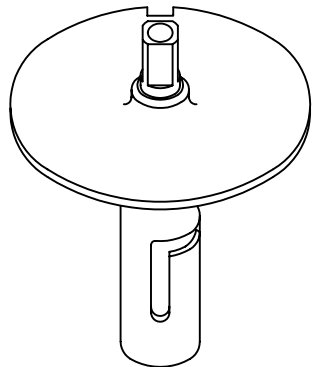
PICK-UP NOZZLE (M)



104431020002

PICK-UP NOZZLE

PAN, MSH



1021206240AD

PICK-UP NOZZLE (L)

PAN, MSH